










**Profiling CNC wheels
for marble, granite and
synthetic** bottom relief \varnothing 20

**Mole sagomate cnc
per marmo, granito e
sintetici** fondo gola \varnothing 20

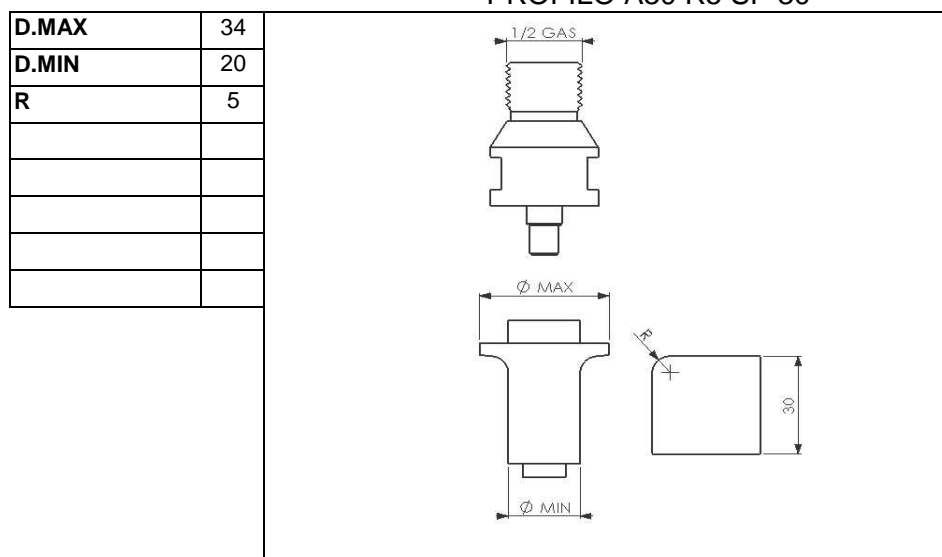
MOLE SAGOMATE PER MARMO GRANITO E SINTETICI FONDO GOLTA 20
PROFILE CNC WHEELS FOR MARBLE GRANITE AND SINTHETIC BOTTON RELIEF 20

INDICE / INDEX

PROFILO PROFILE	SPESSORE / THIKNESS			
	20 mm	30 mm	40 mm	50 mm
A 		r5 pg. 224 r10 pg. 226 r15 pg. 228		
AS 		r5 pg. 225 r10 pg. 227 r15 pg. 229		
CD 		pg. 230		pg. 231
CD1S 	pg. 232	pg. 234	pg. 236	
CS1S 	pg. 233	pg. 235	pg. 237	
CD2S 	pg. 238	pg. 239	pg 240	
T 	pg. 241	r5 pg. 242 r10 pg. 243	r5 pg. 244 r10 pg. 245	

**MOLE SAGOMATE CNC - CNC PROFILE WHEELS
SERIE FONDO GOLA 20 / BOTTOM RELIEF 20**

PROFILO A30 R5 SP 30



1 inch = 25,4 mm

Mole per granito e sintetici / Wheels for granite and engineered stone

Codice/Code	Pos.	Tipo Mola /Wheel type
XT-A30R5FG20C1MG	1MG	Mola elettrodeposta per sgrossatura / Electroplated wheel for grinding
XT-A30R5FG20C2MG	2MG	Mola elettrodeposta per lisciatura / Electroplated wheel for smooting
XT-A30R5FG20EXC3	3	Mola elettrodeposta per finitura / Electroplated wheel for finishing
XT-A30R5FG20TLC4	4	Mola lucidante a tecnologia avanzata / Advanced technology polishing wheel
XT-A30R5FG20TLC5	5	Mola lucidante a tecnologia avanzata / Advanced technology polishing wheel
XT-A30R5FG20TLC6	6	Mola lucidante a tecnologia avanzata / Advanced technology polishing wheel

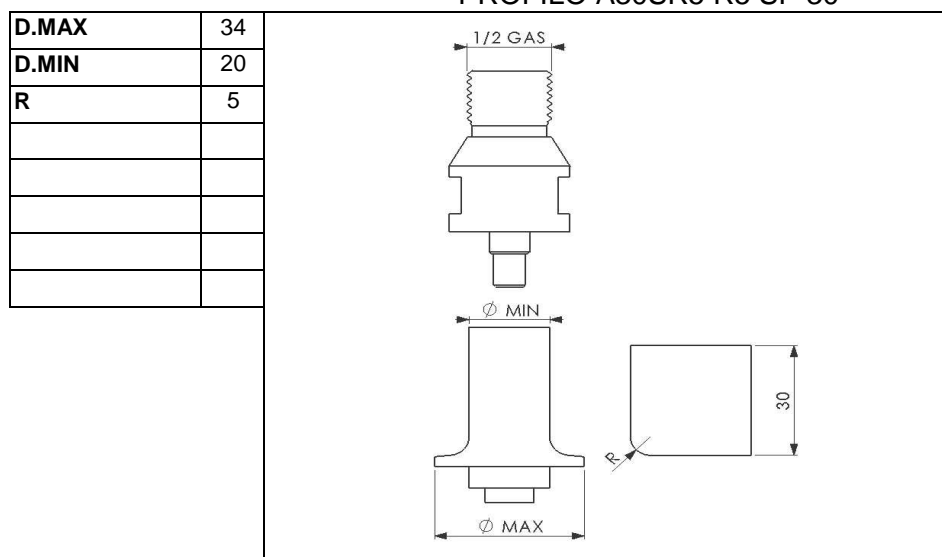
Kit granito composto da: Pos. 1MG, 2MG, EXC3, TLC4, TLC5, TLC6

Attacco 1/2 gas per Mole fondo gola 20 / Fastening 1/2 gas for wheels bottom relief 20

XT-AMFG20	
-----------	--

**MOLE SAGOMATE CNC - CNC PROFILE WHEELS
SERIE FONDO GOLA 20 / BOTTOM RELIEF 20**

PROFILO A30SR5 R5 SP 30



1 inch = 25,4 mm

Mole per granito e sintetici / Wheels for granite and engineered stone

Codice/Code	Pos.	Tipo Mola /Wheel type
XT-A30SR5FG20C1MG	1MG	Mola elettrodeposta per sgrossatura / Electroplated wheel for grinding
XT-A30SR5FG20C2MG	2MG	Mola elettrodeposta per lisciatura / Electroplated wheel for smooting
XT-A30SR5FG20EXC3	3	Mola elettrodeposta per finitura / Electroplated wheel for finishing
XT-A30SR5FG20TLC4	4	Mola lucidante a tecnologia avanzata / Advanced technology polishing wheel
XT-A30SR5FG20TLC5	5	Mola lucidante a tecnologia avanzata / Advanced technology polishing wheel
XT-A30SR5FG20TLC6	6	Mola lucidante a tecnologia avanzata / Advanced technology polishing wheel

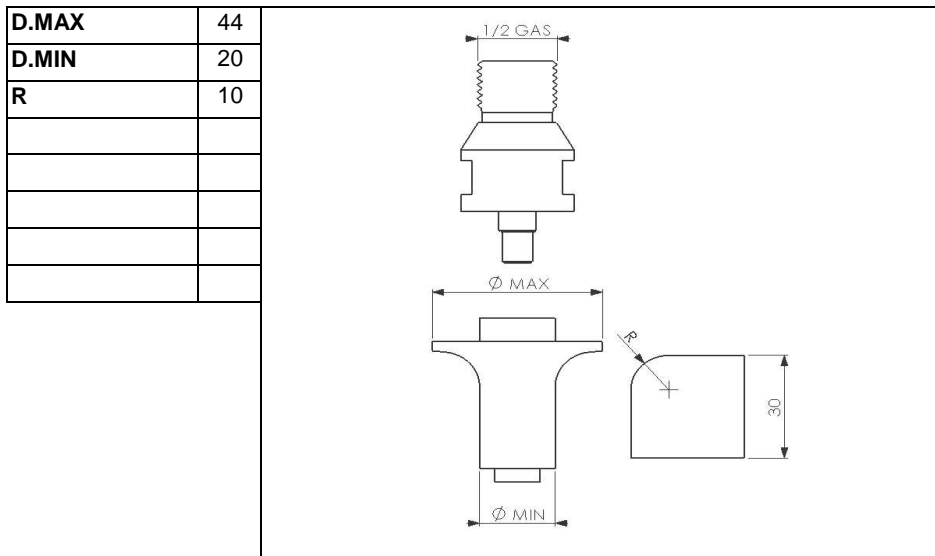
Kit granito composto da: Pos. 1MG, 2MG, EXC3, TLC4, TLC5, TLC6

Attacco 1/2 gas per Mole fondo gola 20 / Fastening 1/2 gas for wheels bottom relief 20

XT-AMFG20	
-----------	--

**MOLE SAGOMATE CNC - CNC PROFILE WHEELS
SERIE FONDO GOLA 20 / BOTTOM RELIEF 20**

PROFILO A30 R10 SP 30



1 inch = 25,4 mm

Mole per granito e sintetici / Wheels for granite and engineered stone

Codice/Code	Pos.	Tipo Mola /Wheel type
XT-A30R10FG20C1MG	1MG	Mola elettrodeposta per sgrossatura / Electroplated wheel for grinding
XT-A30R10FG20C2MG	2MG	Mola elettrodeposta per lisciatura / Electroplated wheel for smooting
XT-A30R10FG20EXC3	3	Mola elettrodeposta per finitura / Electroplated wheel for finishing
XT-A30R10FG20TLC4	4	Mola lucidante a tecnologia avanzata / Advanced technology polishing wheel
XT-A30R10FG20TLC5	5	Mola lucidante a tecnologia avanzata / Advanced technology polishing wheel
XT-A30R10FG20TLC6	6	Mola lucidante a tecnologia avanzata / Advanced technology polishing wheel

Kit granito composto da: Pos. 1MG, 2MG, EXC3, TLC4, TLC5, TLC6

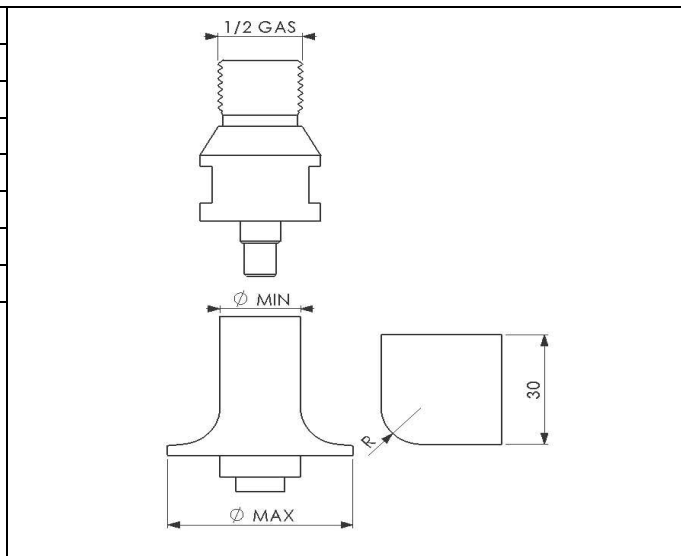
Attacco 1/2 gas per Mole fondo gola 20 / Fastening 1/2 gas for wheels bottom relief 20

XT-AMFG20	
-----------	--

**MOLE SAGOMATE CNC - CNC PROFILE WHEELS
SERIE FONDO GOLA 20 / BOTTOM RELIEF 20**

PROFILO A30SR10 R10 SP 30

D.MAX	44
D.MIN	20
R	10



1 inch = 25,4 mm

Mole per granito e sintetici / Wheels for granite and engineered stone

Codice/Code	Pos.	Tipo Mola /Wheel type
XT-A30SR10FG20C1MG	1MG	Mola elettrodeposta per sgrossatura / Electroplated wheel for grinding
XT-A30SR10FG20C2MG	2MG	Mola elettrodeposta per lisciatura / Electroplated wheel for smooting
XT-A30SR10FG20EXC3	3	Mola elettrodeposta per finitura / Electroplated wheel for finishing
XT-A30SR10FG20TLC4	4	Mola lucidante a tecnologia avanzata / Advanced technology polishing wheel
XT-A30SR10FG20TLC5	5	Mola lucidante a tecnologia avanzata / Advanced technology polishing wheel
XT-A30SR10FG20TLC6	6	Mola lucidante a tecnologia avanzata / Advanced technology polishing wheel

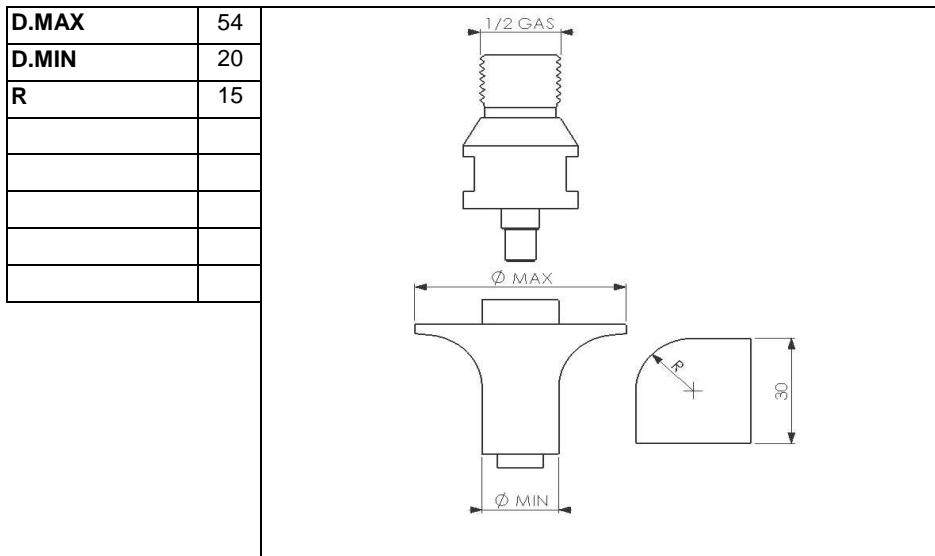
Kit granito composto da: Pos. 1MG, 2MG, EXC3, TLC4, TLC5, TLC6

Attacco 1/2 gas per Mole fondo gola 20 / Fastening 1/2 gas for wheels bottom relief 20

XT-AMFG20	
-----------	--

**MOLE SAGOMATE CNC - CNC PROFILE WHEELS
SERIE FONDO GOLA 20 / BOTTOM RELIEF 20**

PROFILO A30 R15 SP 30



1 inch = 25,4 mm

Mole per granito e sintetici / Wheels for granite and engineered stone

Codice/Code	Pos.	Tipo Mola /Wheel type
XT-A30R15FG20C1MG	1MG	Mola elettrodeposta per sgrossatura / Electroplated wheel for grinding
XT-A30R15FG20C2MG	2MG	Mola elettrodeposta per lisciatura / Electroplated wheel for smooting
XT-A30R15FG20EXC3	3	Mola elettrodeposta per finitura / Electroplated wheel for finishing
XT-A30R15FG20TLC4	4	Mola lucidante a tecnologia avanzata / Advanced technology polishing wheel
XT-A30R15FG20TLC5	5	Mola lucidante a tecnologia avanzata / Advanced technology polishing wheel
XT-A30R15FG20TLC6	6	Mola lucidante a tecnologia avanzata / Advanced technology polishing wheel

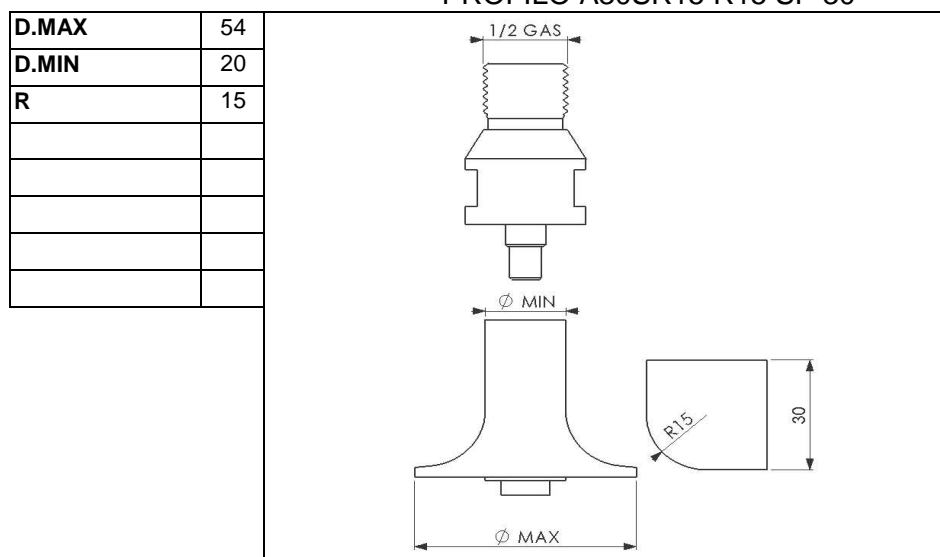
Kit granito composto da: Pos. 1MG, 2MG, EXC3, TLC4, TLC5, TLC6

Attacco 1/2 gas per Mole fondo gola 20 / Fastening 1/2 gas for wheels bottom relief 20

XT-AMFG20	
-----------	--

**MOLE SAGOMATE CNC - CNC PROFILE WHEELS
SERIE FONDO GOLA 20 / BOTTOM RELIEF 20**

PROFILO A30SR15 R15 SP 30



1 inch = 25,4 mm

Mole per granito e sintetici / Wheels for granite and engineered stone

Codice/Code	Pos.	Tipo Mola /Wheel type
XT-A30SR15FG20C1MG	1MG	Mola elettrodeposta per sgrossatura / Electroplated wheel for grinding
XT-A30SR15FG20C2MG	2MG	Mola elettrodeposta per lisciatura / Electroplated wheel for smooting
XT-A30SR15FG20EXC3	3	Mola elettrodeposta per finitura / Electroplated wheel for finishing
XT-A30SR15FG20TLC4	4	Mola lucidante a tecnologia avanzata / Advanced technology polishing wheel
XT-A30SR15FG20TLC5	5	Mola lucidante a tecnologia avanzata / Advanced technology polishing wheel
XT-A30SR15FG20TLC6	6	Mola lucidante a tecnologia avanzata / Advanced technology polishing wheel

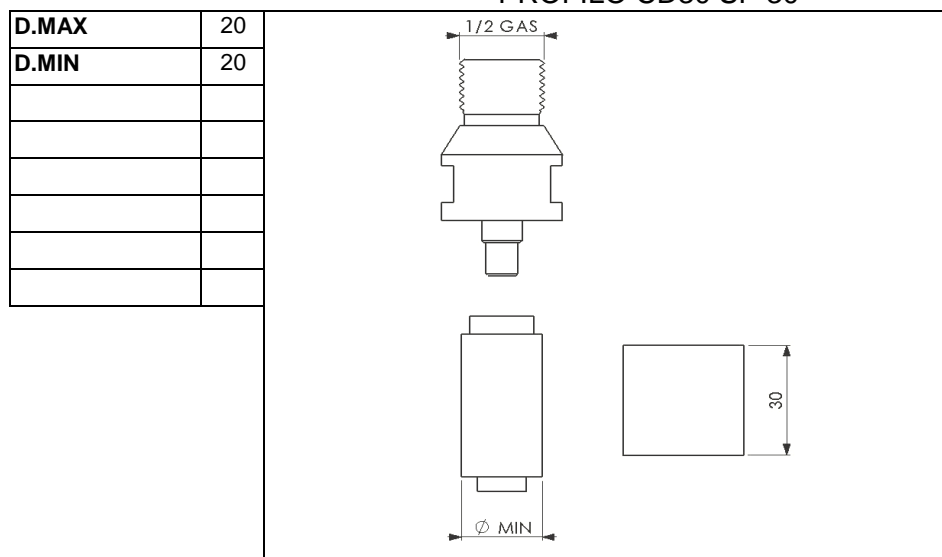
Kit granito composto da: Pos. 1MG, 2MG, EXC3, TLC4, TLC5, TLC6

Attacco 1/2 gas per Mole fondo gola 20 / Fastening 1/2 gas for wheels bottom relief 20

XT-AMFG20	
-----------	--

**MOLE SAGOMATE CNC - CNC PROFILE WHEELS
SERIE FONDO GOLA 20 / BOTTOM RELIEF 20**

PROFILO CD30 SP 30



1 inch = 25,4 mm

Mole per granito e sintetici / Wheels for granite and engineered stone

Codice/Code	Pos.	Tipo Mola /Wheel type
XT-CD30FG20C1MG	1MG	Mola elettrodeposta per sgrossatura / Electroplated wheel for grinding
XT-CD30FG20C2MG	2MG	Mola elettrodeposta per lisciatura / Electroplated wheel for smooting
XT-CD30FG20EXC3	3	Mola elettrodeposta per finitura / Electroplated wheel for finishing
XT-CD30FG20TLC4	4	Mola lucidante a tecnologia avanzata / Advanced technology polishing wheel
XT-CD30FG20TLC5	5	Mola lucidante a tecnologia avanzata / Advanced technology polishing wheel
XT-CD30FG20TLC6	6	Mola lucidante a tecnologia avanzata / Advanced technology polishing wheel

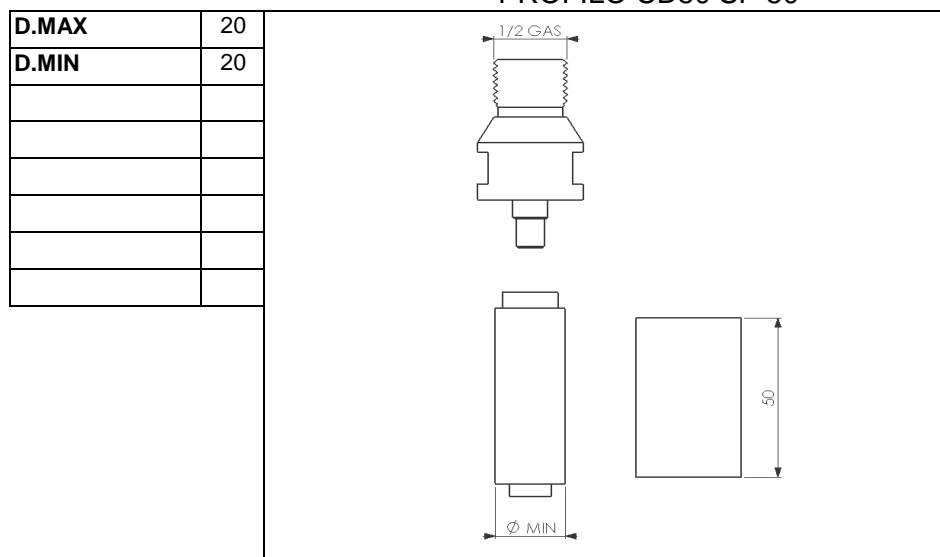
Kit granito composto da: Pos. 1MG, 2MG, EXC3, TLC4, TLC5, TLC6

Attacco 1/2 gas per Mole fondo gola 20 / Fastening 1/2 gas for wheels bottom relief 20

XT-AMFG20	
-----------	--

**MOLE SAGOMATE CNC - CNC PROFILE WHEELS
SERIE FONDO GOLA 20 / BOTTOM RELIEF 20**

PROFILO CD50 SP 50



1 inch = 25,4 mm

Mole per granito e sintetici / Wheels for granite and engineered stone

Codice/Code	Pos.	Tipo Mola /Wheel type
XT-CD50FG20C1MG	1MG	Mola elettrodeposta per sgrossatura / Electroplated wheel for grinding
XT-CD50FG20C2MG	2MG	Mola elettrodeposta per lisciatura / Electroplated wheel for smooting
XT-CD50FG20EXC3	3	Mola elettrodeposta per finitura / Electroplated wheel for finishing
XT-CD50FG20TLC4	4	Mola lucidante a tecnologia avanzata / Advanced technology polishing wheel
XT-CD50FG20TLC5	5	Mola lucidante a tecnologia avanzata / Advanced technology polishing wheel
XT-CD50FG20TLC6	6	Mola lucidante a tecnologia avanzata / Advanced technology polishing wheel

Kit granito composto da: Pos. 1MG, 2MG, EXC3, TLC4, TLC5, TLC6

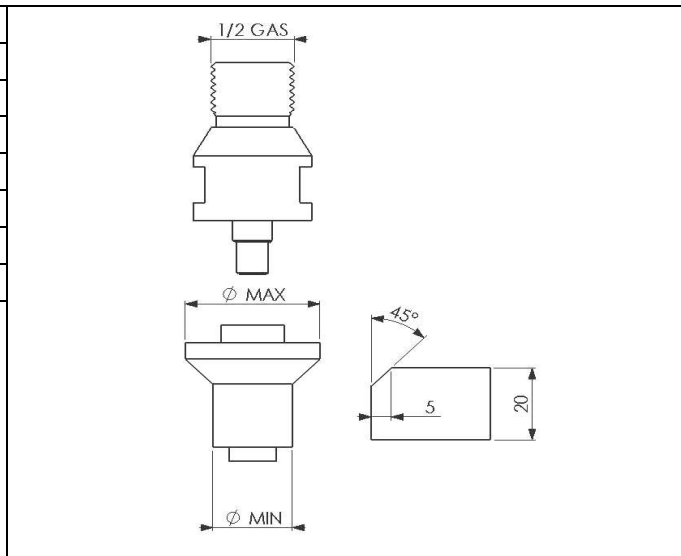
Attacco 1/2 gas per Mole fondo gola 20 / Fastening 1/2 gas for wheels bottom relief 20

XT-AMFG20	
-----------	--

**MOLE SAGOMATE CNC - CNC PROFILE WHEELS
SERIE FONDO GOLA 20 / BOTTOM RELIEF 20**

PROFILO CD1S20 SP 20

D.MAX	33
D.MIN	20
SM	5



1 inch = 25,4 mm

Mole per granito e sintetici / Wheels for granite and engineered stone

Codice/Code	Pos.	Tipo Mola /Wheel type
XT-CD1S20FG20C1MG	1MG	Mola elettrodeposta per sgrossatura / Electroplated wheel for grinding
XT-CD1S20FG20C2MG	2MG	Mola elettrodeposta per lisciatura / Electroplated wheel for smooting
XT-CD1S20FG20EXC3	3	Mola elettrodeposta per finitura / Electroplated wheel for finishing
XT-CD1S20FG20TLC4	4	Mola lucidante a tecnologia avanzata / Advanced technology polishing wheel
XT-CD1S20FG20TLC5	5	Mola lucidante a tecnologia avanzata / Advanced technology polishing wheel
XT-CD1S20FG20TLC6	6	Mola lucidante a tecnologia avanzata / Advanced technology polishing wheel

Kit granito composto da: Pos. 1MG, 2MG, EXC3, TLC4, TLC5, TLC6

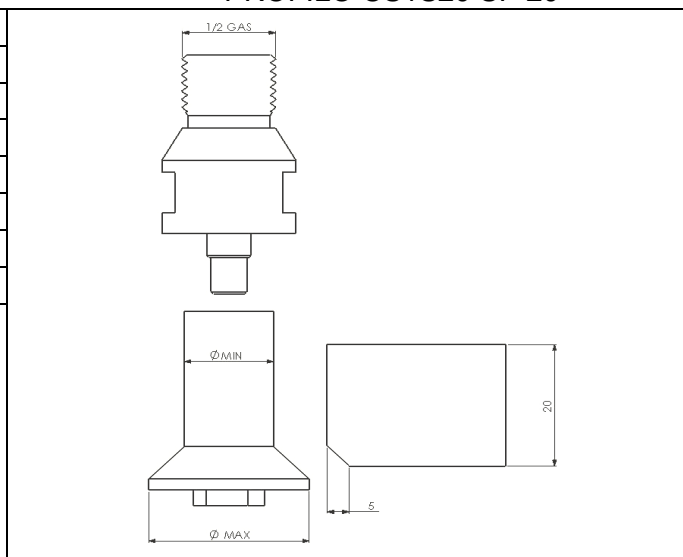
Attacco 1/2 gas per Mole fondo gola 20 / Fastening 1/2 gas for wheels bottom relief 20

XT-AMFG20	
-----------	--

**MOLE SAGOMATE CNC - CNC PROFILE WHEELS
SERIE FONDO GOLA 20 / BOTTOM RELIEF 20**

PROFILO CS1S20 SP 20

D.MAX	33
D.MIN	20
SM	5



1 inch = 25,4 mm

Mole per granito e sintetici / Wheels for granite and engineered stone

Codice/Code	Pos.	Tipo Mola /Wheel type
XT-CS1S20FG20C1MG	1MG	Mola elettrodeposta per sgrossatura / Electroplated wheel for grinding
XT-CS1S20FG20C2MG	2MG	Mola elettrodeposta per lisciatura / Electroplated wheel for smooting
XT-CS1S20FG20EXC3	3	Mola elettrodeposta per finitura / Electroplated wheel for finishing
XT-CS1S20FG20TLC4	4	Mola lucidante a tecnologia avanzata / Advanced technology polishing wheel
XT-CS1S20FG20TLC5	5	Mola lucidante a tecnologia avanzata / Advanced technology polishing wheel
XT-CS1S20FG20TLC6	6	Mola lucidante a tecnologia avanzata / Advanced technology polishing wheel

Kit granito composto da: Pos. 1MG, 2MG, EXC3, TLC4, TLC5, TLC6

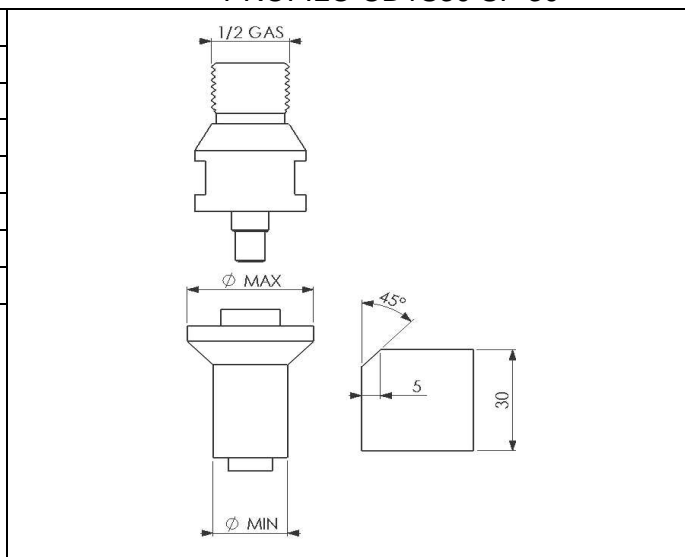
Attacco 1/2 gas per Mole fondo gola 20 / Fastening 1/2 gas for wheels bottom relief 20

XT-AMFG20	
-----------	--

**MOLE SAGOMATE CNC - CNC PROFILE WHEELS
SERIE FONDO GOLA 20 / BOTTOM RELIEF 20**

PROFILO CD1S30 SP 30

D.MAX	33
D.MIN	20
SM	5



1 inch = 25,4 mm

Mole per granito e sintetici / Wheels for granite and engineered stone

Codice/Code	Pos.	Tipo Mola /Wheel type
XT-CD1S30FG20C1MG	1MG	Mola elettrodeposta per sgrossatura / Electroplated wheel for grinding
XT-CD1S30FG20C2MG	2MG	Mola elettrodeposta per lisciatura / Electroplated wheel for smooting
XT-CD1S30FG20EXC3	3	Mola elettrodeposta per finitura / Electroplated wheel for finishing
XT-CD1S30FG20TLC4	4	Mola lucidante a tecnologia avanzata / Advanced technology polishing wheel
XT-CD1S30FG20TLC5	5	Mola lucidante a tecnologia avanzata / Advanced technology polishing wheel
XT-CD1S30FG20TLC6	6	Mola lucidante a tecnologia avanzata / Advanced technology polishing wheel

Kit granito composto da: Pos. 1MG, 2MG, EXC3, TLC4, TLC5, TLC6

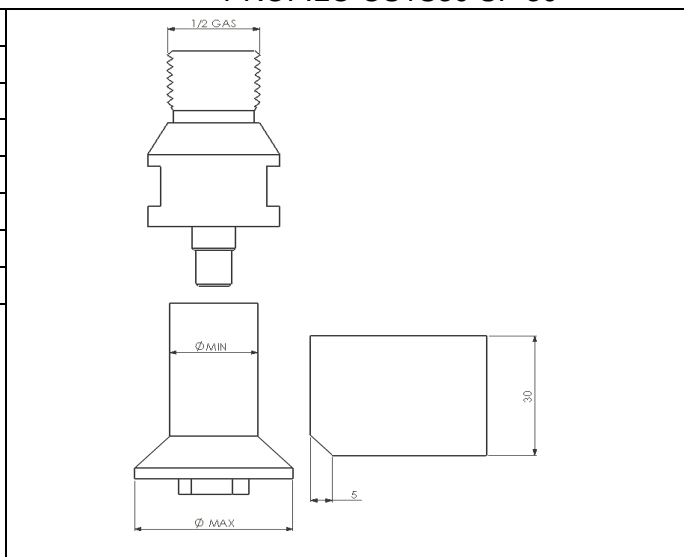
Attacco 1/2 gas per Mole fondo gola 20 / Fastening 1/2 gas for wheels bottom relief 20

XT-AMFG20	
-----------	--

**MOLE SAGOMATE CNC - CNC PROFILE WHEELS
SERIE FONDO GOLA 20 / BOTTOM RELIEF 20**

PROFILO CS1S30 SP 30

D.MAX	33
D.MIN	20
SM	5



1 inch = 25,4 mm

Mole per granito e sintetici / Wheels for granite and engineered stone

Codice/Code	Pos.	Tipo Mola /Wheel type
XT-CS1S30FG20C1MG	1MG	Mola elettrodeposta per sgrossatura / Electroplated wheel for grinding
XT-CS1S30FG20C2MG	2MG	Mola elettrodeposta per lisciatura / Electroplated wheel for smooting
XT-CS1S30FG20EXC3	3	Mola elettrodeposta per finitura / Electroplated wheel for finishing
XT-CS1S30FG20TLC4	4	Mola lucidante a tecnologia avanzata / Advanced technology polishing wheel
XT-CS1S30FG20TLC5	5	Mola lucidante a tecnologia avanzata / Advanced technology polishing wheel
XT-CS1S30FG20TLC6	6	Mola lucidante a tecnologia avanzata / Advanced technology polishing wheel

Kit granito composto da: Pos. 1MG, 2MG, EXC3, TLC4, TLC5, TLC6

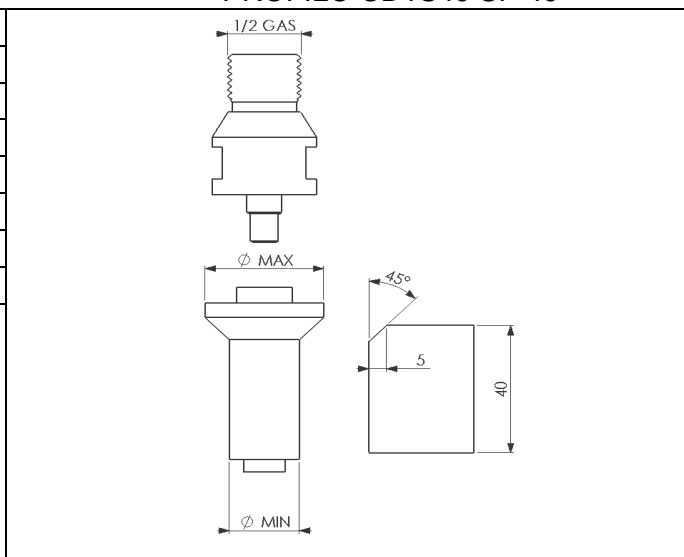
Attacco 1/2 gas per Mole fondo gola 20 / Fastening 1/2 gas for wheels bottom relief 20

XT-AMFG20	
-----------	--

**MOLE SAGOMATE CNC - CNC PROFILE WHEELS
SERIE FONDO GOLA 20 / BOTTOM RELIEF 20**

PROFILO CD1S40 SP 40

D.MAX	33
D.MIN	20
SM	5



1 inch = 25,4 mm

Mole per granito e sintetici / Wheels for granite and engineered stone

Codice/Code	Pos.	Tipo Mola /Wheel type
XT-CD1S40FG20C1MG	1MG	Mola elettrodeposta per sgrossatura / Electroplated wheel for grinding
XT-CD1S40FG20C2MG	2MG	Mola elettrodeposta per lisciatura / Electroplated wheel for smooting
XT-CD1S40FG20EXC3	3	Mola elettrodeposta per finitura / Electroplated wheel for finishing
XT-CD1S40FG20TLC4	4	Mola lucidante a tecnologia avanzata / Advanced technology polishing wheel
XT-CD1S40FG20TLC5	5	Mola lucidante a tecnologia avanzata / Advanced technology polishing wheel
XT-CD1S40FG20TLC6	6	Mola lucidante a tecnologia avanzata / Advanced technology polishing wheel

Kit granito composto da: Pos. 1MG, 2MG, EXC3, TLC4, TLC5, TLC6

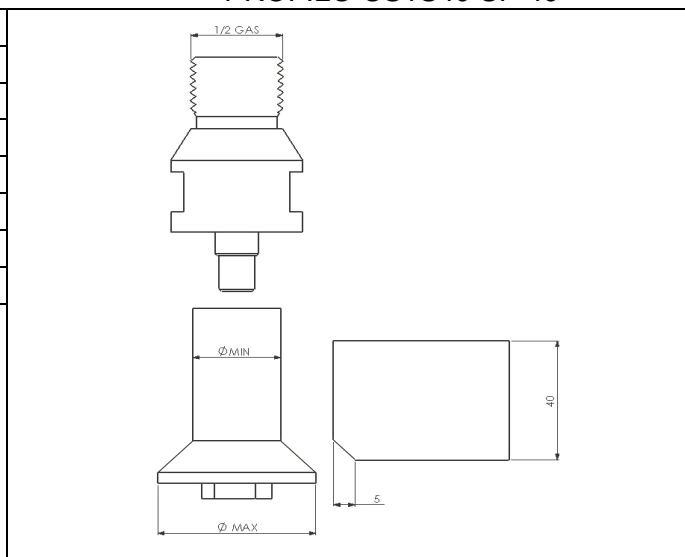
Attacco 1/2 gas per Mole fondo gola 20 / Fastening 1/2 gas for wheels bottom relief 20

XT-AMFG20	
-----------	--

**MOLE SAGOMATE CNC - CNC PROFILE WHEELS
SERIE FONDO GOLA 20 / BOTTOM RELIEF 20**

PROFILO CS1S40 SP 40

D.MAX	33
D.MIN	20
SM	5



1 inch = 25,4 mm

Mole per granito e sintetici / Wheels for granite and engineered stone

Codice/Code	Pos.	Tipo Mola /Wheel type
XT-CS1S40FG20C1MG	1MG	Mola elettrodeposta per sgrossatura / Electroplated wheel for grinding
XT-CS1S40FG20C2MG	2MG	Mola elettrodeposta per lisciatura / Electroplated wheel for smooting
XT-CS1S40FG20EXC3	3	Mola elettrodeposta per finitura / Electroplated wheel for finishing
XT-CS1S40FG20TLC4	4	Mola lucidante a tecnologia avanzata / Advanced technology polishing wheel
XT-CS1S40FG20TLC5	5	Mola lucidante a tecnologia avanzata / Advanced technology polishing wheel
XT-CS1S40FG20TLC6	6	Mola lucidante a tecnologia avanzata / Advanced technology polishing wheel

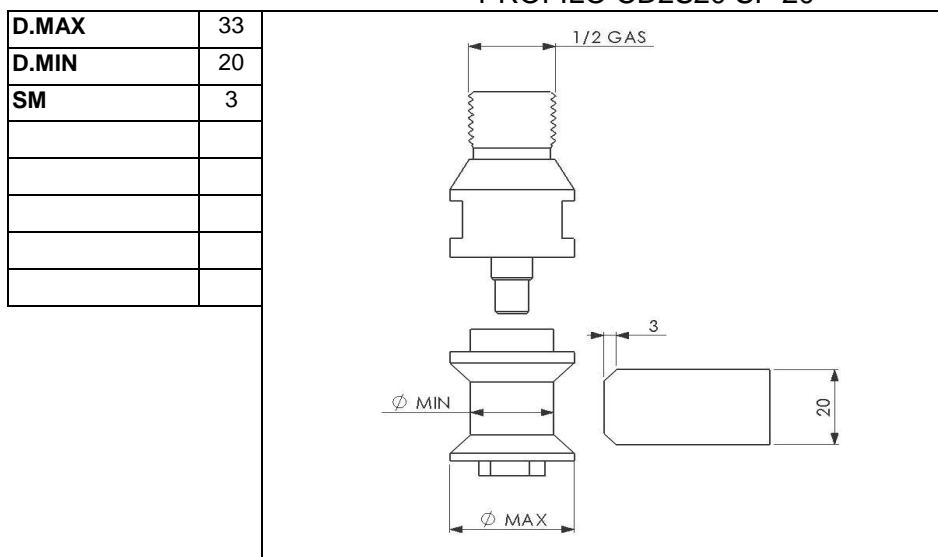
Kit granito composto da: Pos. 1MG, 2MG, EXC3, TLC4, TLC5, TLC6

Attacco 1/2 gas per Mole fondo gola 20 / Fastening 1/2 gas for wheels bottom relief 20

XT-AMFG20	
-----------	--

**MOLE SAGOMATE CNC - CNC PROFILE WHEELS
SERIE FONDO GOLA 20 / BOTTOM RELIEF 20**

PROFILO CD2S20 SP 20



1 inch = 25,4 mm

Mole per granito e sintetici / Wheels for granite and engineered stone

Codice/Code	Pos.	Tipo Mola /Wheel type
XT-CD2S20FG20C1MG	1MG	Mola elettrodeposta per sgrossatura / Electroplated wheel for grinding
XT-CD2S20FG20C2MG	2MG	Mola elettrodeposta per lisciatura / Electroplated wheel for smooting
XT-CD2S20FG20EXC3	3	Mola elettrodeposta per finitura / Electroplated wheel for finishing
XT-CD2S20FG20TLC4	4	Mola lucidante a tecnologia avanzata / Advanced technology polishing wheel
XT-CD2S20FG20TLC5	5	Mola lucidante a tecnologia avanzata / Advanced technology polishing wheel
XT-CD2S20FG20TLC6	6	Mola lucidante a tecnologia avanzata / Advanced technology polishing wheel

Kit granito composto da: Pos. 1MG, 2MG, EXC3, TLC4, TLC5, TLC6

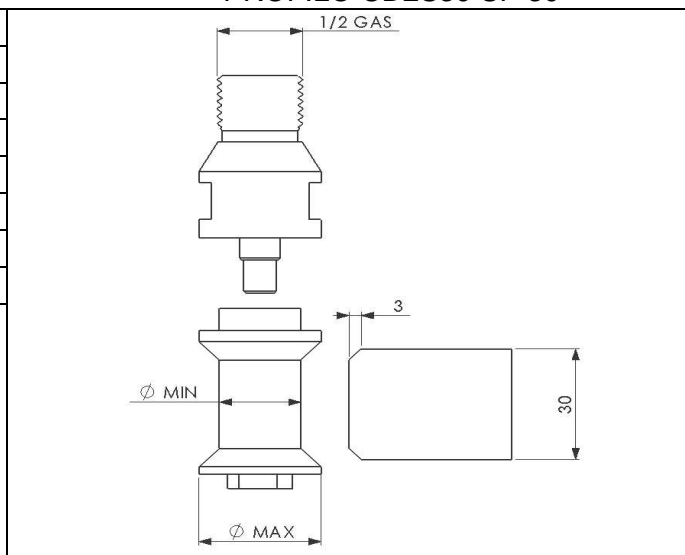
Attacco 1/2 gas per Mole fondo gola 20 / Fastening 1/2 gas for wheels bottom relief 20

XT-AMFG20	
-----------	--

**MOLE SAGOMATE CNC - CNC PROFILE WHEELS
SERIE FONDO GOLA 20 / BOTTOM RELIEF 20**

PROFILO CD2S30 SP 30

D.MAX	33
D.MIN	20
SM	3



1 inch = 25,4 mm

Mole per granito e sintetici / Wheels for granite and engineered stone

Codice/Code	Pos.	Tipo Mola /Wheel type
XT-CD2S30FG20C1MG	1MG	Mola elettrodeposta per sgrossatura / Electroplated wheel for grinding
XT-CD2S30FG20C2MG	2MG	Mola elettrodeposta per lisciatura / Electroplated wheel for smooting
XT-CD2S30FG20EXC3	3	Mola elettrodeposta per finitura / Electroplated wheel for finishing
XT-CD2S30FG20TLC4	4	Mola lucidante a tecnologia avanzata / Advanced technology polishing wheel
XT-CD2S30FG20TLC5	5	Mola lucidante a tecnologia avanzata / Advanced technology polishing wheel
XT-CD2S30FG20TLC6	6	Mola lucidante a tecnologia avanzata / Advanced technology polishing wheel

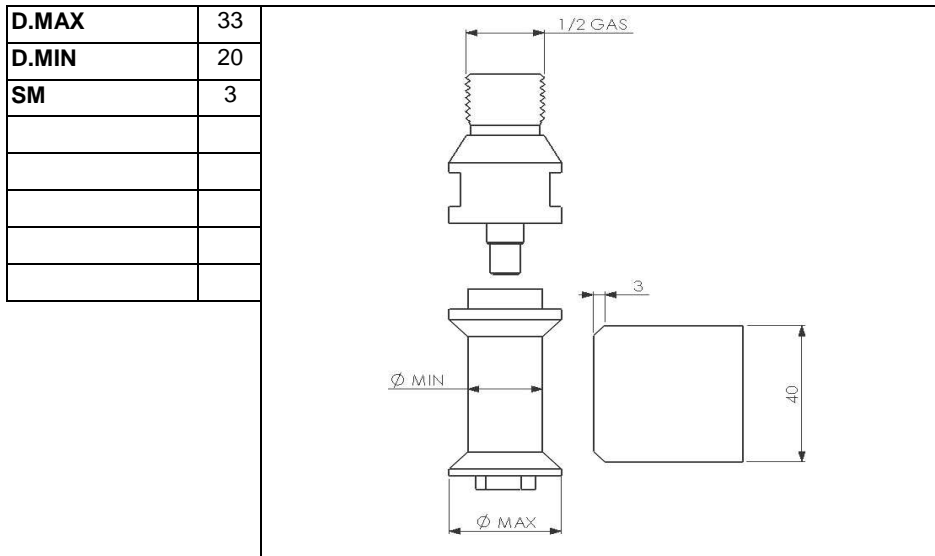
Kit granito composto da: Pos. 1MG, 2MG, EXC3, TLC4, TLC5, TLC6

Attacco 1/2 gas per Mole fondo gola 20 / Fastening 1/2 gas for wheels bottom relief 20

XT-AMFG20	
-----------	--

**MOLE SAGOMATE CNC - CNC PROFILE WHEELS
SERIE FONDO GOLA 20 / BOTTOM RELIEF 20**

PROFILO CD2S40 SP 40



1 inch = 25,4 mm

Mole per granito e sintetici / Wheels for granite and engineered stone

Codice/Code	Pos.	Tipo Mola /Wheel type
XT-CD2S40FG20C1MG	1MG	Mola elettrodeposta per sgrossatura / Electroplated wheel for grinding
XT-CD2S40FG20C2MG	2MG	Mola elettrodeposta per lisciatura / Electroplated wheel for smooting
XT-CD2S40FG20EXC3	3	Mola elettrodeposta per finitura / Electroplated wheel for finishing
XT-CD2S40FG20TLC4	4	Mola lucidante a tecnologia avanzata / Advanced technology polishing wheel
XT-CD2S40FG20TLC5	5	Mola lucidante a tecnologia avanzata / Advanced technology polishing wheel
XT-CD2S40FG20TLC6	6	Mola lucidante a tecnologia avanzata / Advanced technology polishing wheel

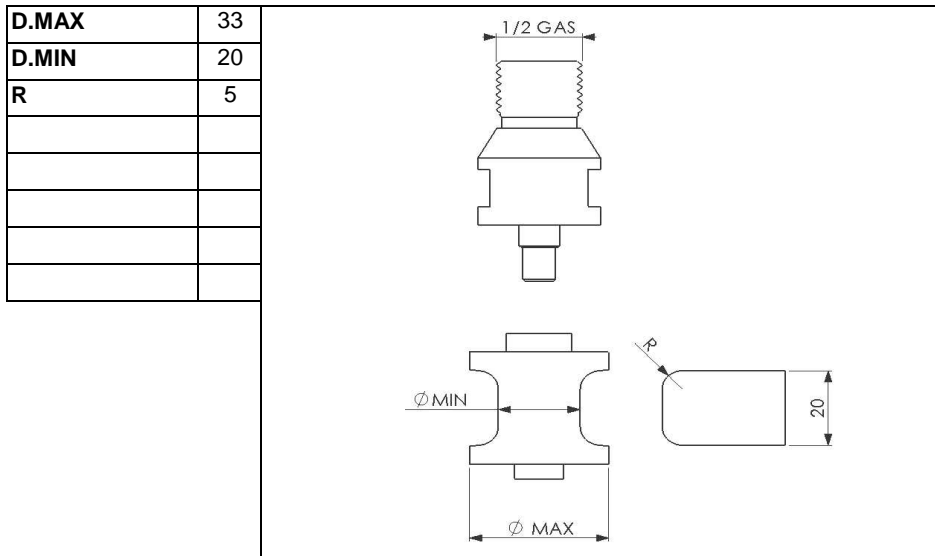
Kit granito composto da: Pos. 1MG, 2MG, EXC3, TLC4, TLC5, TLC6

Attacco 1/2 gas per Mole fondo gola 20 / Fastening 1/2 gas for wheels bottom relief 20

XT-AMFG20	
-----------	--

**MOLE SAGOMATE CNC - CNC PROFILE WHEELS
SERIE FONDO GOLA 20 / BOTTOM RELIEF 20**

PROFILO T20 R5 SP 20



1 inch = 25,4 mm

Mole per granito e sintetici / Wheels for granite and engineered stone

Codice/Code	Pos.	Tipo Mola /Wheel type
XT-T20R5FG20C1MG	1MG	Mola elettrodeposta per sgrossatura / Electroplated wheel for grinding
XT-T20R5FG20C2MG	2MG	Mola elettrodeposta per lisciatura / Electroplated wheel for smooting
XT-T20R5FG20EXC3	3	Mola elettrodeposta per finitura / Electroplated wheel for finishing
XT-T20R5FG20TLC4	4	Mola lucidante a tecnologia avanzata / Advanced technology polishing wheel
XT-T20R5FG20TLC5	5	Mola lucidante a tecnologia avanzata / Advanced technology polishing wheel
XT-T20R5FG20TLC6	6	Mola lucidante a tecnologia avanzata / Advanced technology polishing wheel

Kit granito composto da: Pos. 1MG, 2MG, EXC3, TLC4, TLC5, TLC6

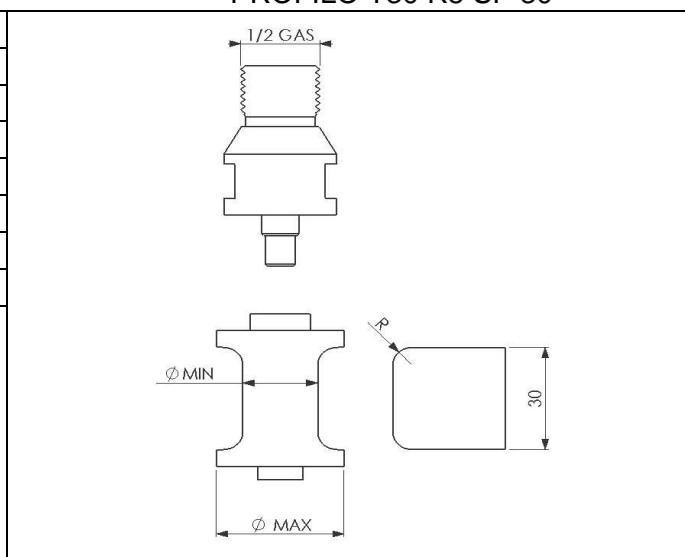
Attacco 1/2 gas per Mole fondo gola 20 / Fastening 1/2 gas for wheels bottom relief 20

XT-AMFG20	
-----------	--

**MOLE SAGOMATE CNC - CNC PROFILE WHEELS
SERIE FONDO GOLA 20 / BOTTOM RELIEF 20**

PROFILO T30 R5 SP 30

D.MAX	33
D.MIN	20
R	5



1 inch = 25,4 mm

Mole per granito e sintetici / Wheels for granite and engineered stone

Codice/Code	Pos.	Tipo Mola /Wheel type
XT-T30R5FG20C1MG	1MG	Mola elettrodeposta per sgrossatura / Electroplated wheel for grinding
XT-T30R5FG20C2MG	2MG	Mola elettrodeposta per lisciatura / Electroplated wheel for smooting
XT-T30R5FG20EXC3	3	Mola elettrodeposta per finitura / Electroplated wheel for finishing
XT-T30R5FG20TLC4	4	Mola lucidante a tecnologia avanzata / Advanced technology polishing wheel
XT-T30R5FG20TLC5	5	Mola lucidante a tecnologia avanzata / Advanced technology polishing wheel
XT-T30R5FG20TLC6	6	Mola lucidante a tecnologia avanzata / Advanced technology polishing wheel

Kit granito composto da: Pos. 1MG, 2MG, EXC3, TLC4, TLC5, TLC6

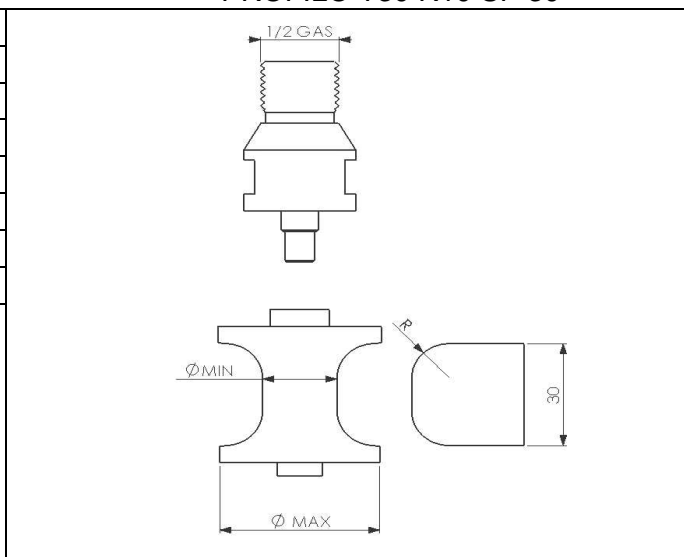
Attacco 1/2 gas per Mole fondo gola 20 / Fastening 1/2 gas for wheels bottom relief 20

XT-AMFG20	
-----------	--

**MOLE SAGOMATE CNC - CNC PROFILE WHEELS
SERIE FONDO GOLA 20 / BOTTOM RELIEF 20**

PROFILO T30 R10 SP 30

D.MAX	45
D.MIN	20
R	10



1 inch = 25,4 mm

Mole per granito e sintetici / Wheels for granite and engineered stone

Codice/Code	Pos.	Tipo Mola /Wheel type
XT-T30R10FG20C1MG	1MG	Mola elettrodeposta per sgrossatura / Electroplated wheel for grinding
XT-T30R10FG20C2MG	2MG	Mola elettrodeposta per lisciatura / Electroplated wheel for smooting
XT-T30R10FG20EXC3	3	Mola elettrodeposta per finitura / Electroplated wheel for finishing
XT-T30R10FG20TLC4	4	Mola lucidante a tecnologia avanzata / Advanced technology polishing wheel
XT-T30R10FG20TLC5	5	Mola lucidante a tecnologia avanzata / Advanced technology polishing wheel
XT-T30R10FG20TLC6	6	Mola lucidante a tecnologia avanzata / Advanced technology polishing wheel

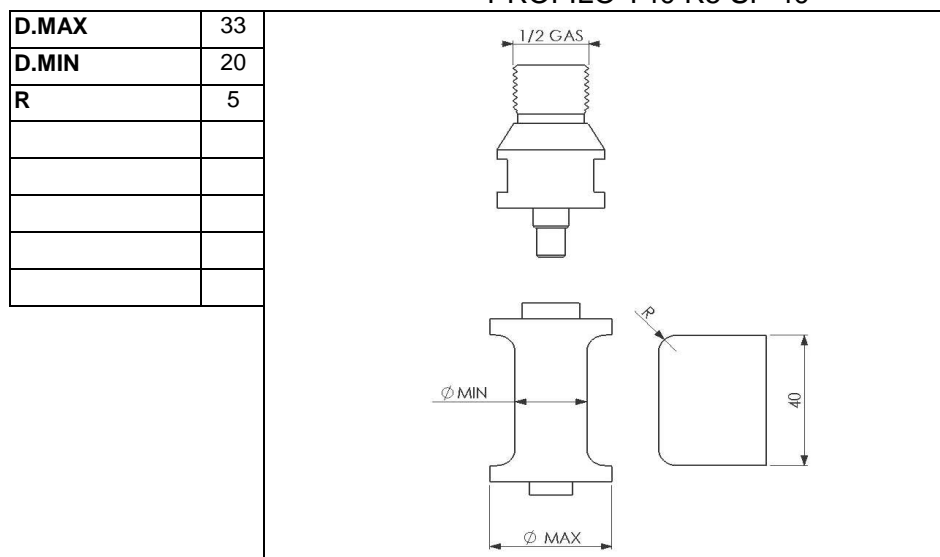
Kit granito composto da: Pos. 1MG, 2MG, EXC3, TLC4, TLC5, TLC6

Attacco 1/2 gas per Mole fondo gola 20 / Fastening 1/2 gas for wheels bottom relief 20

XT-AMFG20	
-----------	--

**MOLE SAGOMATE CNC - CNC PROFILE WHEELS
SERIE FONDO GOLA 20 / BOTTOM RELIEF 20**

PROFILO T40 R5 SP 40



1 inch = 25,4 mm

Mole per granito e sintetici / Wheels for granite and engineered stone

Codice/Code	Pos.	Tipo Mola /Wheel type
XT-T40R5FG20C1MG	1MG	Mola elettrodeposta per sgrossatura / Electroplated wheel for grinding
XT-T40R5FG20C2MG	2MG	Mola elettrodeposta per lisciatura / Electroplated wheel for smooting
XT-T40R5FG20EXC3	3	Mola elettrodeposta per finitura / Electroplated wheel for finishing
XT-T40R5FG20TLC4	4	Mola lucidante a tecnologia avanzata / Advanced technology polishing wheel
XT-T40R5FG20TLC5	5	Mola lucidante a tecnologia avanzata / Advanced technology polishing wheel
XT-T40R5FG20TLC6	6	Mola lucidante a tecnologia avanzata / Advanced technology polishing wheel

Kit granito composto da: Pos. 1MG, 2MG, EXC3, TLC4, TLC5, TLC6

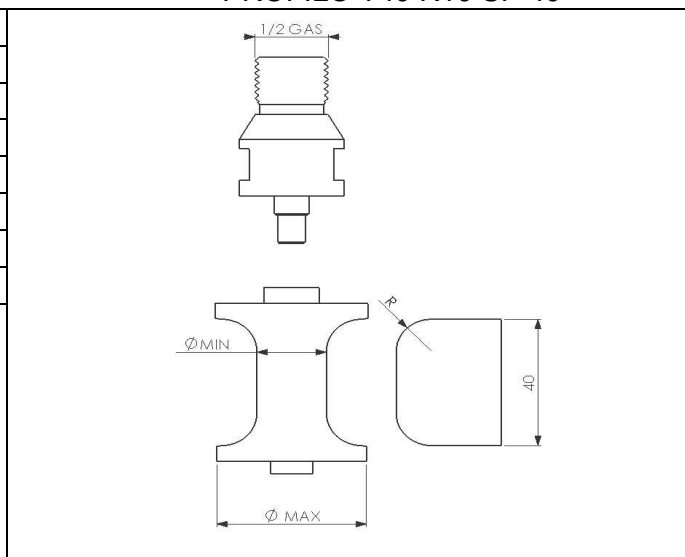
Attacco 1/2 gas per Mole fondo gola 20 / Fastening 1/2 gas for wheels bottom relief 20

XT-AMFG20	
-----------	--

**MOLE SAGOMATE CNC - CNC PROFILE WHEELS
SERIE FONDO GOLA 20 / BOTTOM RELIEF 20**

PROFILO T40 R10 SP 40

D.MAX	45
D.MIN	20
R	10



1 inch = 25,4 mm

Mole per granito e sintetici / Wheels for granite and engineered stone

Codice/Code	Pos.	Tipo Mola /Wheel type
XT-T40R10FG20C1MG	1MG	Mola elettrodeposta per sgrossatura / Electroplated wheel for grinding
XT-T40R10FG20C2MG	2MG	Mola elettrodeposta per lisciatura / Electroplated wheel for smooting
XT-T40R10FG20EXC3	3	Mola elettrodeposta per finitura / Electroplated wheel for finishing
XT-T40R10FG20TLC4	4	Mola lucidante a tecnologia avanzata / Advanced technology polishing wheel
XT-T40R10FG20TLC5	5	Mola lucidante a tecnologia avanzata / Advanced technology polishing wheel
XT-T40R10FG20TLC6	6	Mola lucidante a tecnologia avanzata / Advanced technology polishing wheel

Kit granito composto da: Pos. 1MG, 2MG, EXC3, TLC4, TLC5, TLC6

Attacco 1/2 gas per Mole fondo gola 20 / Fastening 1/2 gas for wheels bottom relief 20

XT-AMFG20	
-----------	--